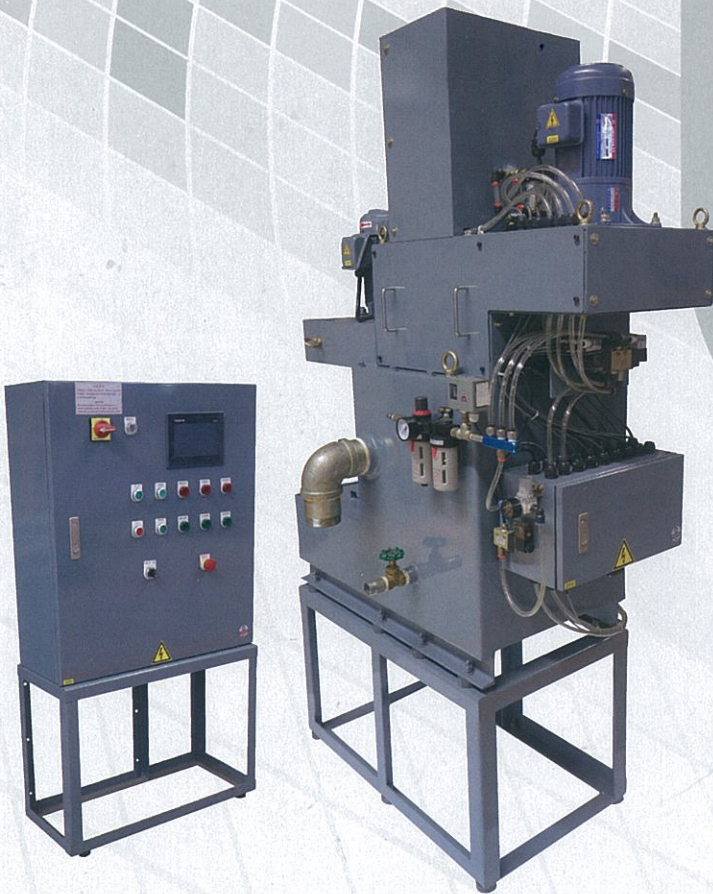


Coolant Filtration System

is the very first and leading manufacturer in providing solutions for coolant filtration and management in metalworking arena in Taiwan.



Automatic Centrifuge CLA

APPLICATIONS

- Deep hole drilling machine
- Honing machine
- EDM machine
- Polishing machine
- Precision grinding machine

- Gear grinding machine
- Washing machine
- Lens grinding machine
- Glass processing machine
- Remove impurities from hydraulic oil

FEATURES

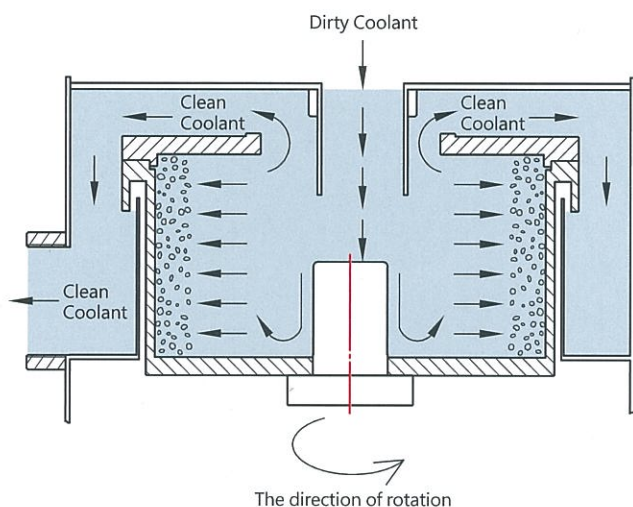
- Completely no consumables.
- The sludge or particles are easy to be cleaned and recycled.
- Do not separate additives in the coolant.
- Prevent the coolant from corruption and bad smell.
- Applicable for carbon, glass, quartz, aluminum, stainless steel.

FILTRATION PRINCIPLE

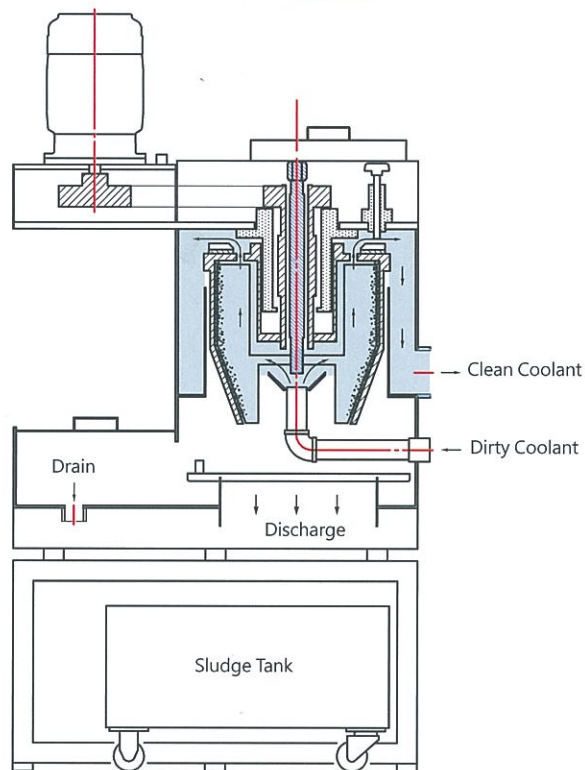
Coolant with sludge, particles, and impurities flows into a high-speed rotating vessel. Because the coolant with the particles has a larger proportion, the centrifugal force separates the substance from the coolant and makes it attached to the wall of the rotating vessel, the clean coolant flows out from the opening of the rotating vessel.

THE STRUCTURE DIAGRAM OF THE ROTATING VESSEL

Manual Type



Semi-auto / Automatic Type



DISCHARGE INSTRUCTION

Manual Type

open the top cover, take out the rotating vessel from the frame, and then remove sludge, particles, or impurities inside the rotating vessel. We suggest you clean impurities in the rotating vessel every day to keep its best performance at all time. (You may also purchase a vessel liner to make cleaning job easier.)

DISCHARGE INSTRUCTION

Semi-auto Type

The scrapers inside the rotating vessel can remove the particles or impurities after separation. To achieve the best performance; please clean the particles/sludge inside the rotating vessel every day.

Automatic Type

All units are equipped with PLC and HID. It controls all filtration and discharging procedures; does the regular cleaning automatically every day to save time and manpower.

CL

Manual type Centrifuge

CL-50/80



Semi-automatic Centrifuge

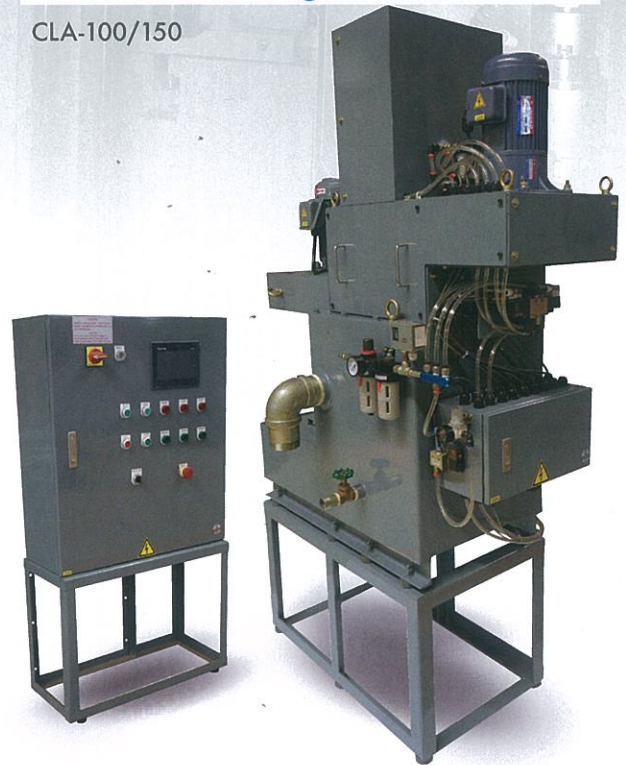
CL-60/100/150



CLA

Automatic Centrifuge

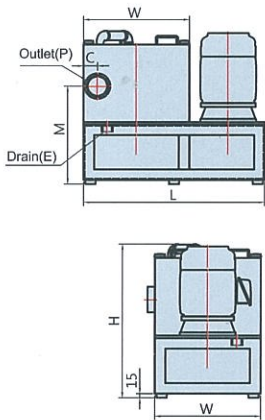
CLA-100/150



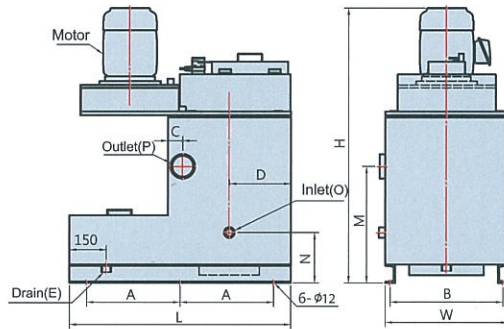
DIMENSIONAL DRAWINGS

*The stand and the sludge tank are special accessories.

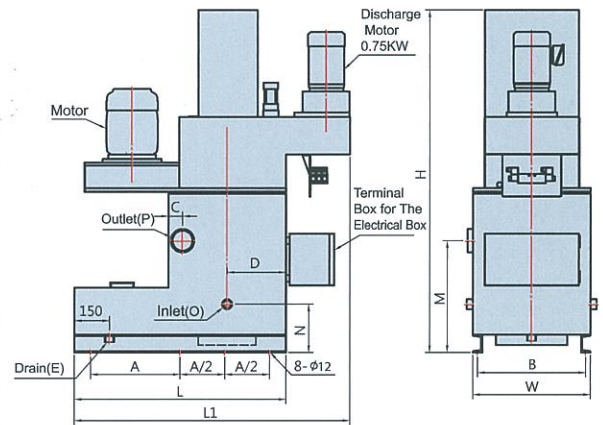
CL-50, CL-80



CL-60, CL-100, CL-150



CLA-100, CLA-150



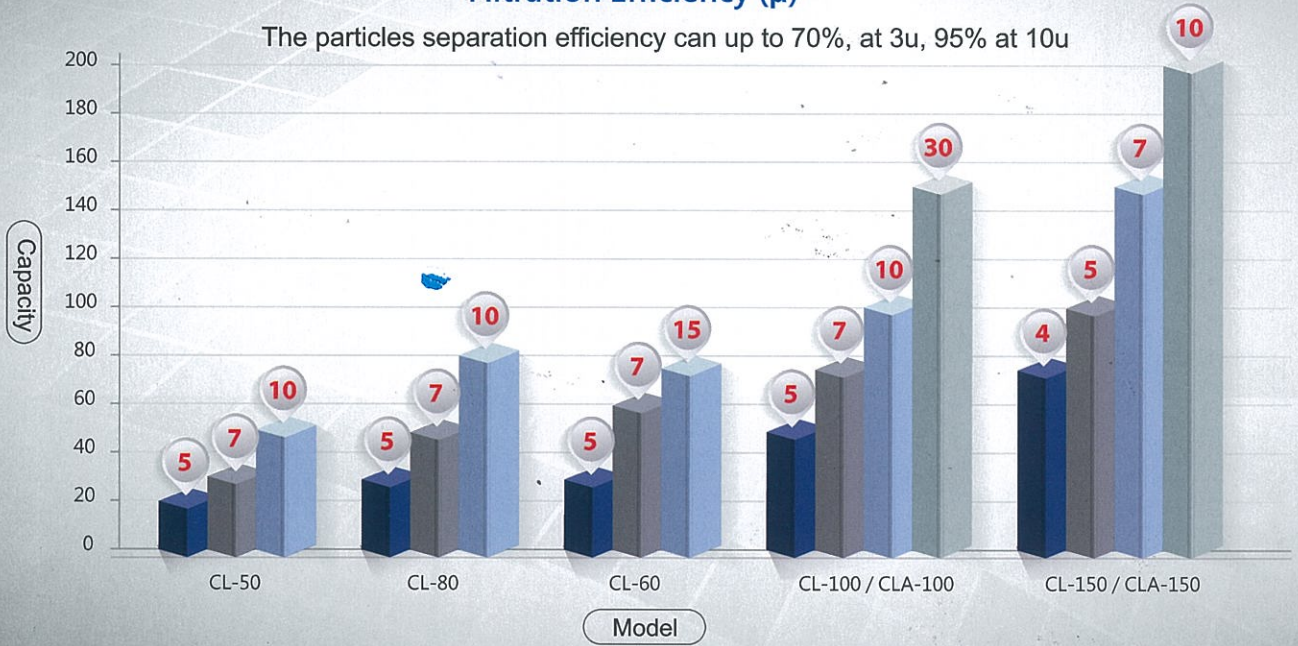
SPECIFICATION TABLE

| Model | Capacity (L/Min) | The volume of the rotating vessel(L) | L | L1 | W | H | M | N | A | B | C | D | Drain (E) | Inlet (O) | Outlet (P) | Stand Height | Motor* (KW) | Net Weight (kg) |
|---------|------------------|--------------------------------------|------|------|-----|------|-----|-----|-----|-----|----|-----|-----------|-----------|------------|--------------|-------------|-----------------|
| CL-50 | 50 | 5 | 650 | — | 380 | 505 | 339 | — | — | — | 50 | — | PF 1" | — | PF 2-1/2" | — | 1.5 | 100 |
| CL-80 | 80 | 10 | 800 | — | 500 | 557 | 353 | — | — | — | 60 | — | PF 1" | — | PF3' | — | 2.2 | 180 |
| CL-60 | 60 | 7 | 650 | — | 400 | 1079 | 425 | 205 | 275 | 375 | 60 | 200 | PF 1" | PF 1" | PF1" | 400 | 1.5 | 250 |
| CL-100 | 100 | 12 | 900 | — | 500 | 1122 | 475 | 205 | 380 | 460 | 60 | 250 | PF 1" | PF 1" | PF1" | 500 | 2.2 | 390 |
| CL-150 | 150 | 17 | 1000 | — | 600 | 1320 | 437 | 245 | 400 | 550 | 70 | 300 | PF 1-1/2" | PF 1-1/2" | PF4" | 500 | 3.7 | 500 |
| CLA-100 | 100 | 12 | 900 | 1172 | 500 | 1122 | 475 | 205 | 380 | 460 | 60 | 250 | PF 1" | PF 1" | PF1" | 500 | 2.2 | 600 |
| CLA-150 | 150 | 17 | 1000 | 1269 | 600 | 1320 | 437 | 245 | 400 | 550 | 70 | 300 | PF 1-1/2" | PF 1-1/2" | PF4" | 500 | 3.7 | 900 |

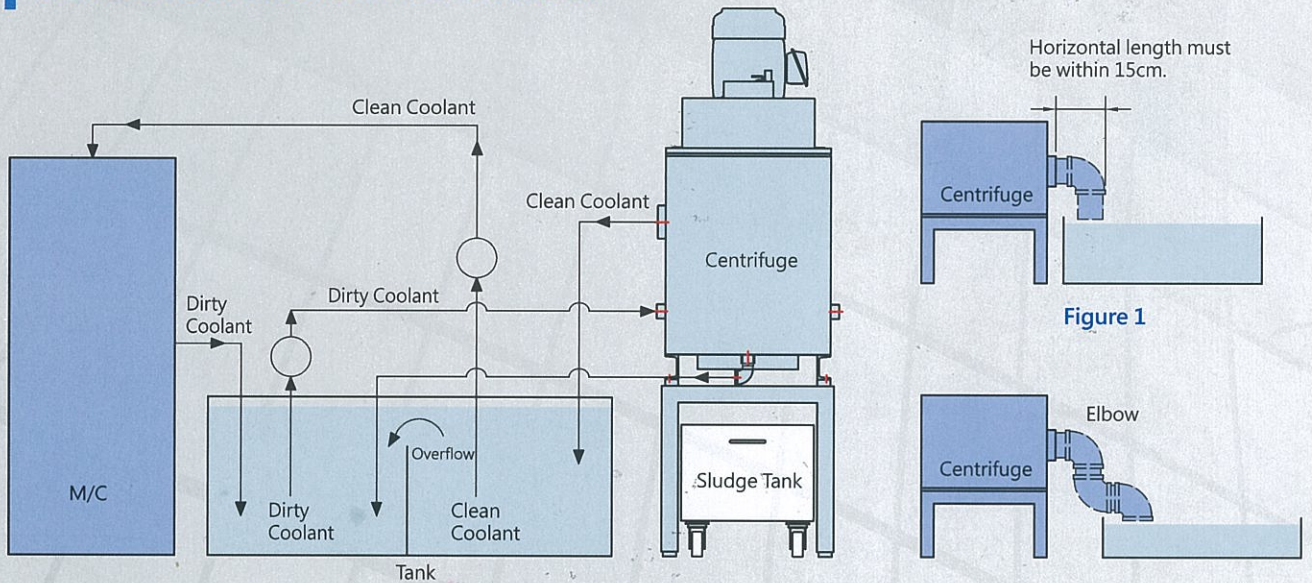
PERFORMANCE CHART

Filtration Efficiency (μ)

The particles separation efficiency can up to 70%, at 3u, 95% at 10u



CENTRIFUGE MOUNTING DIAGRAM



Remarks:

- Mounting outlet piping as short as possible. Horizontal length must be within 15cm. (Figure 1)
- If the outlet piping is longer than 15cm, please refer to the figure 2, and add elbows to the piping.
- Please choose the diameter of piping as large as possible.